

Please read assembly instructions, safety precautions, and limited warranty before assembling this product.

Assembly Instructions:

1. Remove all parts from the box at the location you will be using this product and lay them on a flat surface as shown in Figure 1.

Each part is identified by an Item number (some Item numbers have multiple identical parts).

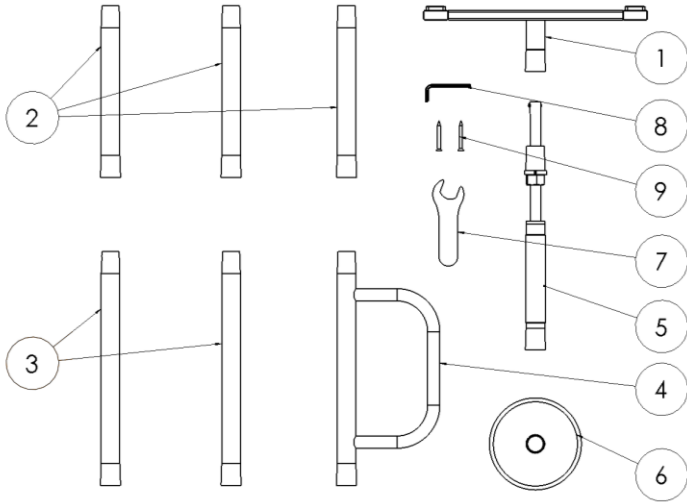
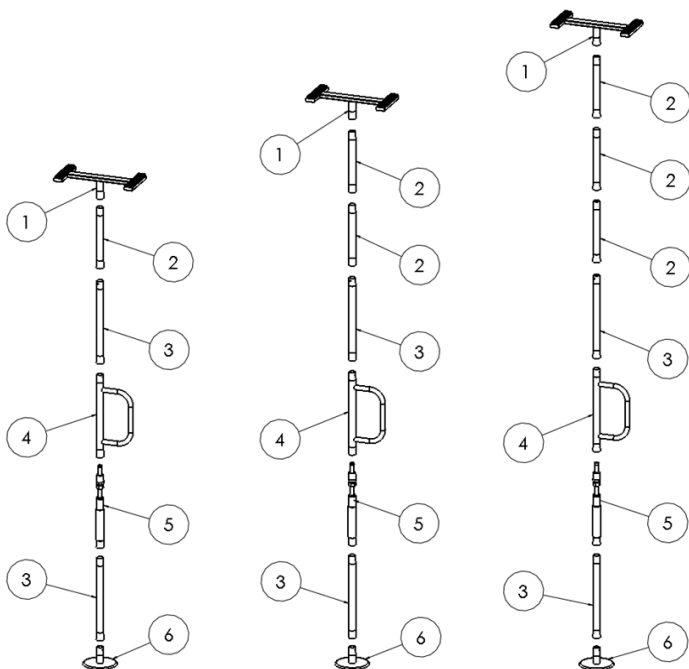


FIGURE 1

NOTE: This product is designed to be used with ceiling heights that range from 7, 8, or 9 foot ceilings (not to be used on vaulted ceilings).

2. Figure 2 shows the parts that will be used for 7 foot, 8 foot, or 9 foot ceilings. Notice that the only difference between the 7 foot, 8 foot, or 9 foot assemblies is the quantity of part number 2 being used.



7 Foot Assembly 8 Foot Assembly 9 Foot Assembly

FIGURE 2

3. Each tubular part has either a tapered end and/or a flared end. When assembling the parts, the tapered end will always insert into a flared end of the joining part.

NOTE: HOLES IN TAPERED OR FLARED ENDS OF TUBES ARE FOR MANUFACTURING PURPOSES AND ARE NOT USED FOR ASSEMBLY.

CAUTION: When assembling parts (Items 1 through 6), it is best if another person can hold the

pole in a vertical position to prevent loosely assembled parts from falling onto those assembling the product or onto the floor. Falling parts may cause injury or damage. If you do not feel comfortable assembling the product, please get additional assistance.

4. **NOTE:** For this step, just use one of the two Item-3 parts. Place Item-6 on the floor near the location you desire to place the pole and place the flared end of Item-3 onto the tapered end of Item-6.
5. Place the flared end of Item-5 onto the tapered end of Item-3.

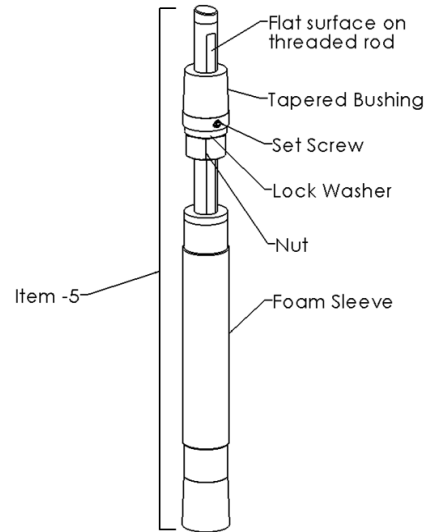


FIGURE 3

6. Place the flared end of Item-4 onto the tapered bushing of Item-5.
7. Place the flared end of the remaining Item-3 part onto the tapered end of Item-4.
8. Place the flared end of the one of the Item-2 parts onto the tapered end of Item-3.
9.
 - a) If you have a 7 foot ceiling, then place the flared end of Item-1 onto the tapered end of Item-2.
 - b) If you have an 8 foot ceiling, add one more Item-2 part before placing the flared end of Item-1 onto the tapered end of the second Item-2 part.
 - c) If you have a 9 foot ceiling, then add all three Item-2 parts before placing the flared end of Item-1 onto the tapered end of the third Item-2 part.
10. Before securing the pole product between the floor and the ceiling, make sure the set screw is aligned with the flat surface on the threaded rod. **IMPORTANT:** Set screw should not be tightened at this point. The tapered bushing must be able to slide up and down the threaded rod. (See Figure 3)
11. For the assembled tubes to properly engage each other, secure the pole between the floor and the ceiling by tightening the nut on Item-5 with the included wrench (Item-7) until it is difficult to tighten any further.
12. **IMPORTANT:** Once the pole is secure, pull and push on the vertical member of Item-4 (creating flex in the pole) and then retighten the nut. Repeat this process until it becomes difficult to further tighten the nut. Keep the included wrench (Item-7) to periodically tighten the nut as needed to maintain a secure engagement of the pole between the floor and the ceiling.

- If additional securing is needed, the 2 included screws can be installed through the holes in the Ceiling Support Assembly (Item-1) and into the ceiling joists (wood structural members located in the ceiling), as shown in Figure 4. This would require removing the plastic plugs from the holes in the Ceiling Support Assembly (Item-1).

IMPORTANT: If the user decides not to use the screws, do not remove the plastic plugs from the holes in the Ceiling Support Assembly. The plastic plugs prevent moisture from getting inside of the steel tubing and causing rust.

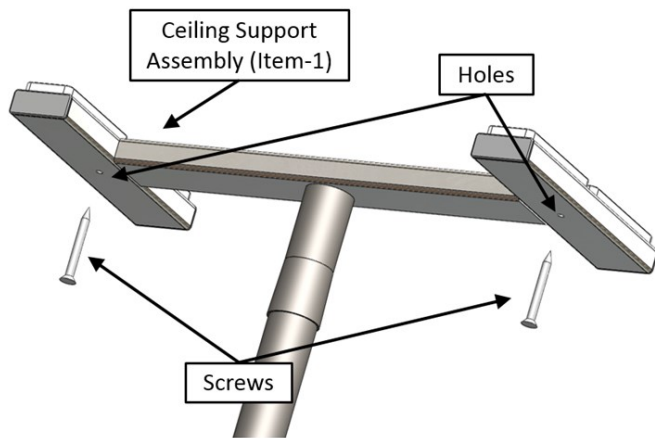


FIGURE 4

- After pole is secured between the floor and the ceiling, use the Allen wrench (Item-8) to tighten the set screw against the flat surface of the threaded rod. (See Figure 3)
- Slide foam sleeve upwards to cover the threaded rod and tapered bushing described in Figure 3.

NEED ASSISTANCE?

If you are experiencing problems or have any questions, please contact Stander Inc. at 1-800-506-9901

SAFETY PRECAUTIONS:

- Serious injury or death can result if the pole is not properly installed. Stander Inc. is committed to providing safe products and informing the user of ways to prevent accidents.
 - ✓ Regularly check the pole to make sure the pole is tightly secured between the floor and ceiling.
 - ✓ Make sure the pole axis is installed at 90 degrees relative to the floor. All protective rubber pads must be in contact with the floor and the ceiling.
 - ✓ Additional safety measures should be taken for users that are a high risk. High risk users include those who are not mentally conscious (including those individuals under medication), users who have size or weight conditions, or any condition that impair their ability to use the pole without assistance.
 - ✓ If you have any concerns or questions regarding these precautions, please contact Stander Inc. at 1-800-506-9901.
- If you are suffering from an ailment or injury or are taking medications that affect your balance or ability to stand or sit down, you should first consult with a physician before using this product. If the product is not used properly, serious injury or harm could result.

- The product was not intended to carry the full weight of an individual. This product is only intended to provide balance and support while sitting and standing.
- The product instructions must be carefully followed to ensure that the product is properly assembled and positioned. Failure to follow the instructions could result in serious injury to the user(s) of the product.
- Children should not be allowed to hang on or play with the product.
- DISCLAIMER:** Neither Stander Inc. nor the manufacture is liable for any harm or injury that may result or has resulted from the improper use or assembly of the product.

LIMITED WARRANTY:

Congratulations on your purchase of your Able Life brand product from Stander Inc. We hope that it will ease your daily living. Please read the following warranty statement for your protection.

Stander Inc. warrants to the original purchaser that this product will be free from defects in material and/or workmanship for 1 year from the date of purchase.

During the warranty period, Stander Inc. will correct any defects in material or workmanship, at no charge. The original purchaser, however, must prepay shipping cost. Any replacement parts will be new and are warranted for the remainder of the original warranty or thirty (30) days from the date of shipment, whichever is longer. The original purchaser must notify Stander Inc. during the warranty period in writing of the defect in workmanship or material. This warranty is not transferable and covers only normal use. NO SHIPPING CHARGES ARE REFUNDABLE.

The warranty does NOT cover the following:

- Damage during shipment other than original shipment to retailer.
- Damage caused by unauthorized attachments, alterations, or modifications.
- Damage caused by the use of the product for purposes other than those for which the product was designed or intended.
- Damage caused by any other abuse, misuse, mishandling or misapplication.

Under no circumstances shall Stander Inc. be liable for any special, incidental, or consequential damages based upon breach of this limited warranty, breach of contract, or strict liability.

THERE ARE NO WARRANTIES WHICH EXTEND BEYOND THE DESCRIPTION ON THE FACE HEREOF. ALL OTHER WARRANTIES, EXPRESS OR IMPLIED (INCLUDING ALL IMPLIED WARRANTIES OF MERCHANTABILITY OR FITNESS FOR A PARTICULAR PURPOSE), ARE HEREBY DISCLAIMED.

Some states do not allow limitations on how long an implied warranty lasts, so the above limitation may not apply to you. This warranty gives you specific legal right, and you may also have other rights, which vary from state to state.

To obtain service under this warranty, you can reach Stander Inc. at 1-800-506-9901.

